

# The Seat Shop

SOLUTIONS - SAFETY - SERVICE ■

## GRAMMER MSG97-732 CONSTRUCTION INDUSTRY SEAT



Thanks to its extra-wide pneumatic suspension, the Actimo XXL is ideal for installing large, heavy multifunction armrests. The low-frequency suspension delivers outstanding comfort, being designed to attenuate the vibrations that typically occur in large construction machines. An automatic positioning system and adjustable shock absorber additionally enhance the experience.

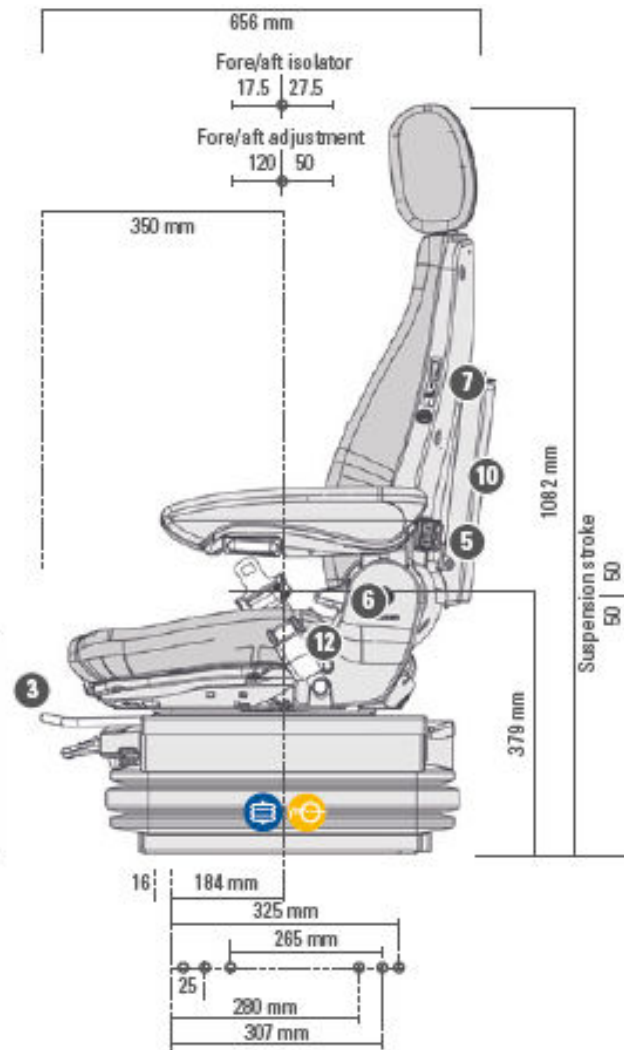
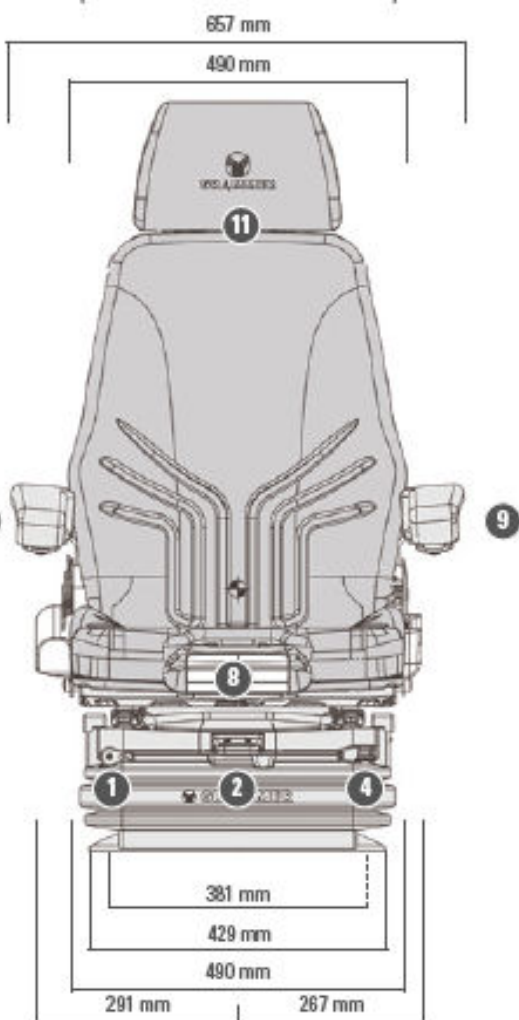
### GET IN TOUCH

1300 064 456 | [admin@theseatshop.com.au](mailto:admin@theseatshop.com.au) | [www.theseatshop.com.au](http://www.theseatshop.com.au)

# FEATURES

- 12v or 24v Air Suspension
- High Backrest with Recline Adjustment
- Contoured Comfort cushions
- Manual adjustment 50-150KG Weight Rating
- Optional Armrests with tilt up adjustment
- Optional Seat Belt Configurations (2-3-4 Point)
- Cushion Slide & Tilt Adjustment
- Optional Heated Cushions
- Horizontal Isolator Shock Absorber
- Air Lumbar Adjustment
- Standard with OPS

# TECHNICAL SPECS & DIMENSIONS



All dimensions in mm.  
Subject to technical changes.

## GET IN TOUCH