

The Seat Shop

SOLUTIONS - SAFETY - SERVICE ■

DYNAPAC MECHANICAL SUSPENSION ROLLER SEAT



A Heavy Duty replacement for all Dynapac series Rollers with the non-air suspension seat model. Comes complete with Joystick Control Bracket for easy installation.

Exceeds OEM seat specifications while also offering a greater range of seat adjustment functions. Assembled in Australia.

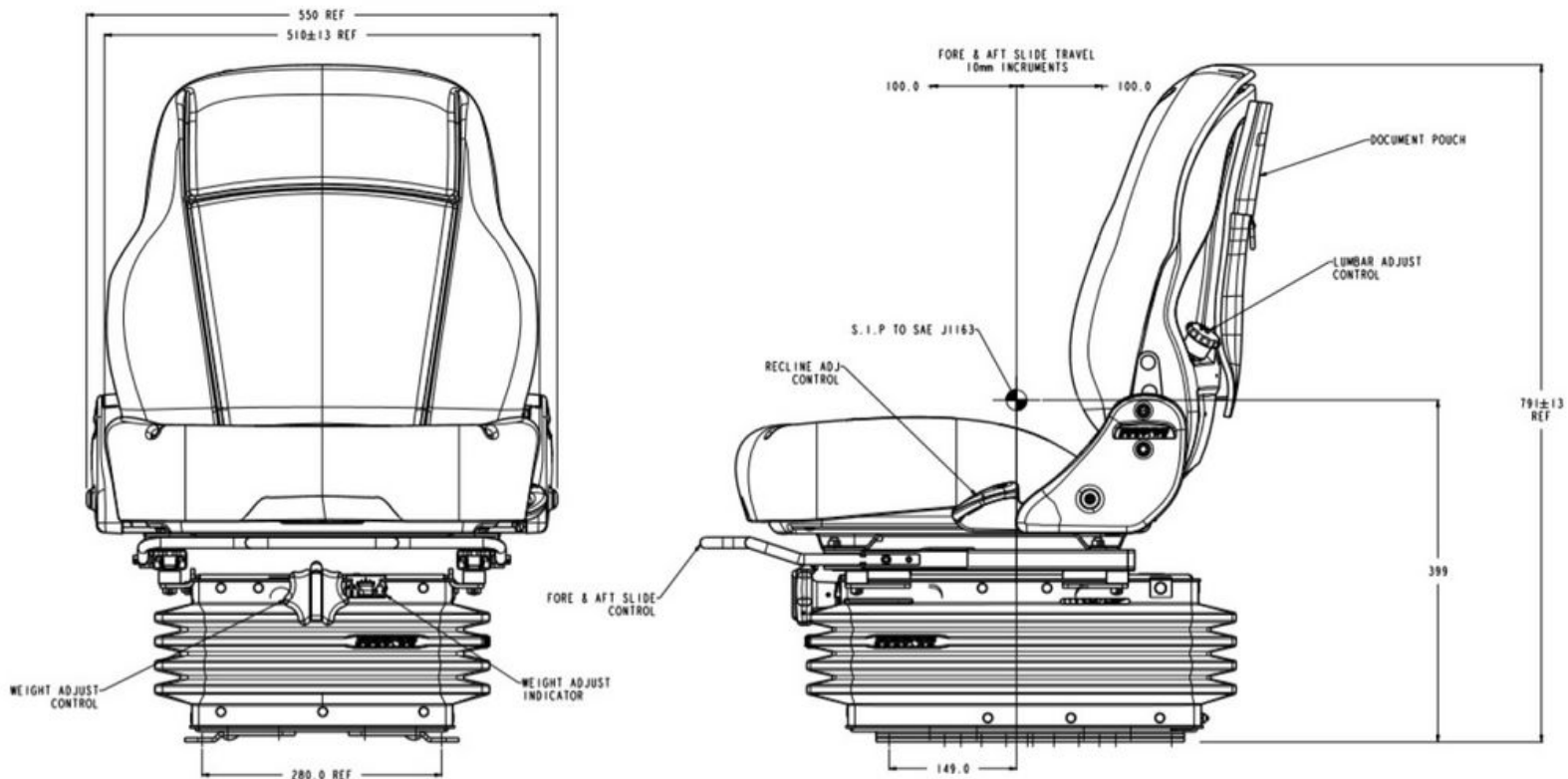
GET IN TOUCH

1300 064 456 | admin@theseatshop.com.au | www.theseatshop.com.au

FEATURES

- Manual adjustment 50-150KG Weight Rating
- Left Hand Armrests with tilt up adjustment
- Standard with Seat Belt
- Control Bracket Included
- Lumbar Adjustment
- Seat Cushion Slide & Tilt Up
- Dynapac OPS / Deadman Switch Included
- 3 Stage Suspension Height Setting

TECHNICAL SPECS & DIMENSIONS



GET IN TOUCH

1300 064 456 | admin@theseatshop.com.au | www.theseatshop.com.au