

## TSS400M UNDERGROUND SUSPENSION SEAT

---



The TSS400M Underground Seat is used specifically for Underground Mining applications. It features a 150KG Weight Rated Mechanical Suspension assembly with 3 Stage Height setting + replaceable seat cushions. The 5mm Powder Coated Steel Frame ensures many years of service. (TSS400MC Coated Seat Shown in picture above).

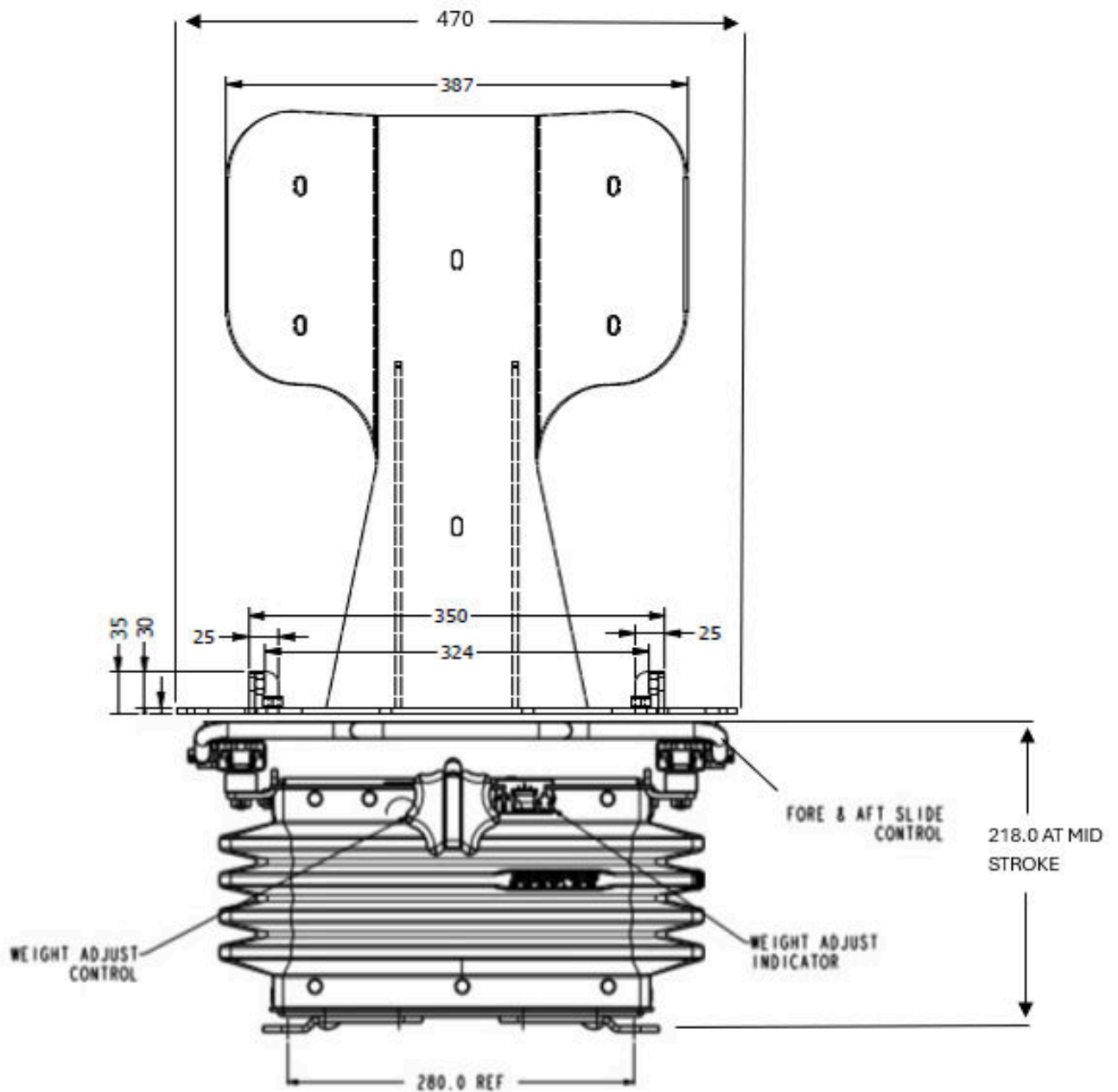
### GET IN TOUCH

---

# FEATURES

- 150KG Weight Rated Mechanical Suspension
- 3 Stage Height Level Setting
- Correct Weight Setting Window
- Optional Seat Belt Configurations
- Optional Waterproof / Fireproof Coating
- Replaceable Seat Cushions

# TECHNICAL SPECS & DIMENSIONS



## GET IN TOUCH