

The Seat Shop

SOLUTIONS - SAFETY - SERVICE ■

SEARS SA38679 CONSTRUCTION & MINING SEAT



This product is engineered for heavy duty use in mining and construction machinery. It features the patented TLV air suspension assembly and is suitable for a large range of applications and includes a range of seat adjustments and ergonomic contoured comfort cushions keep drivers safe and comfortable no matter the length of day.

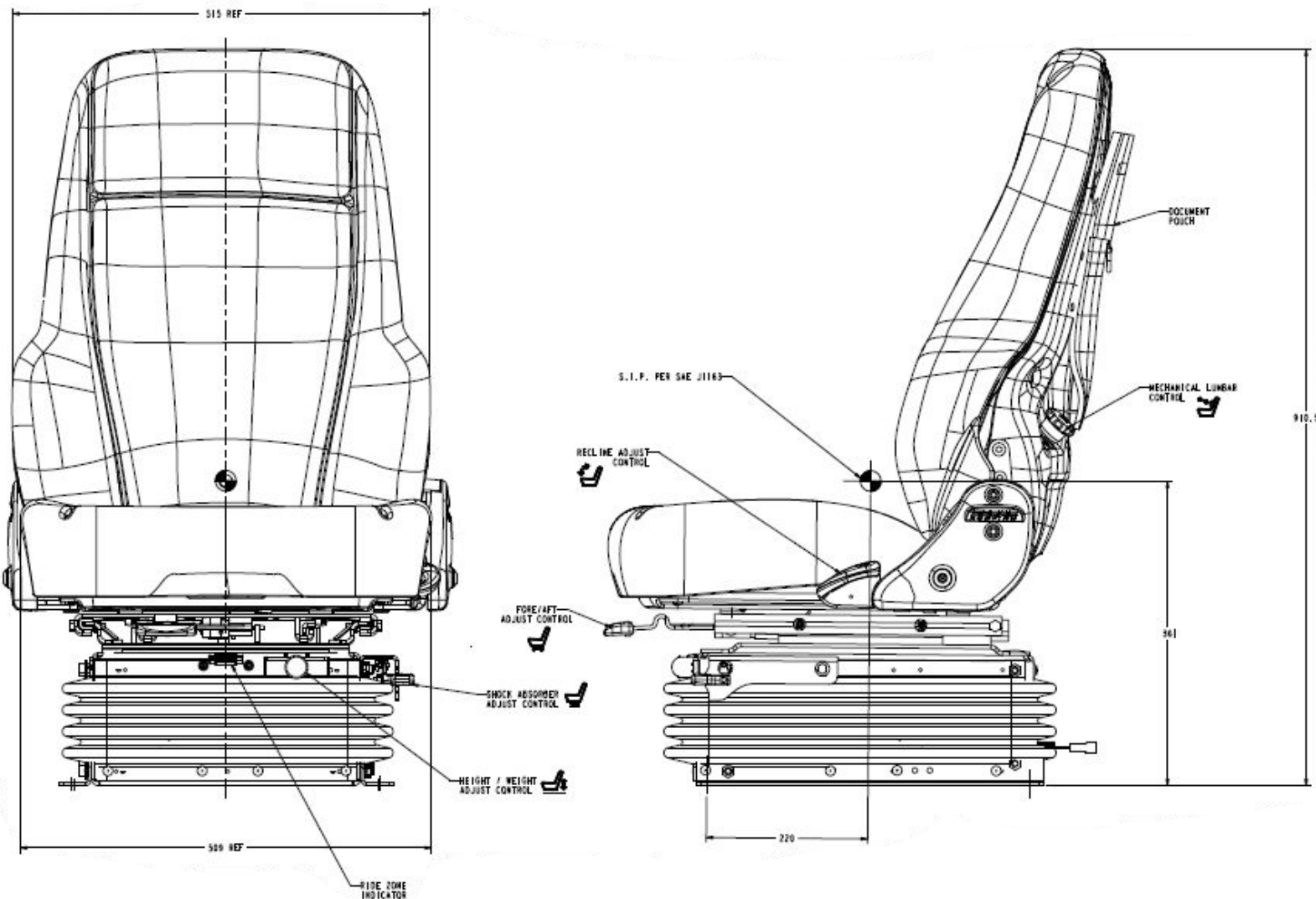
GET IN TOUCH

1300 064 456 | admin@theseatshop.com.au | www.theseatshop.com.au

FEATURES

- Heavy Duty 24V Air Suspension
- High Backrest with Recline Adjustment
- Manual adjustment 50-200KG Weight Rating
- Seat Cushion Tilt
- OPS Switch (2 wire)
- Right Hand bracket mounting position
- Slide Travel 200mm
- Lumbar Adjustment
- Left Hand Arm Rest

TECHNICAL SPECS & DIMENSIONS



GET IN TOUCH

1300 064 456 | admin@theseatshop.com.au | www.theseatshop.com.au