

The Seat Shop

SOLUTIONS - SAFETY - SERVICE ■

SEARS D8570 SERIES CONSTRUCTION SEAT



This product is engineered for dump trucks, articulated dump trucks, large forklifts, rollers, wheel loaders and many more in the construction industry. Optional left and right mounted seat belt, roll over restraint harness or the latest 4-point belt can be mounted to the D8570. A contoured steel seat and back pans, a high backrest and ergonomic contoured comfort cushions make this seat one of a kind in comfort and safety.

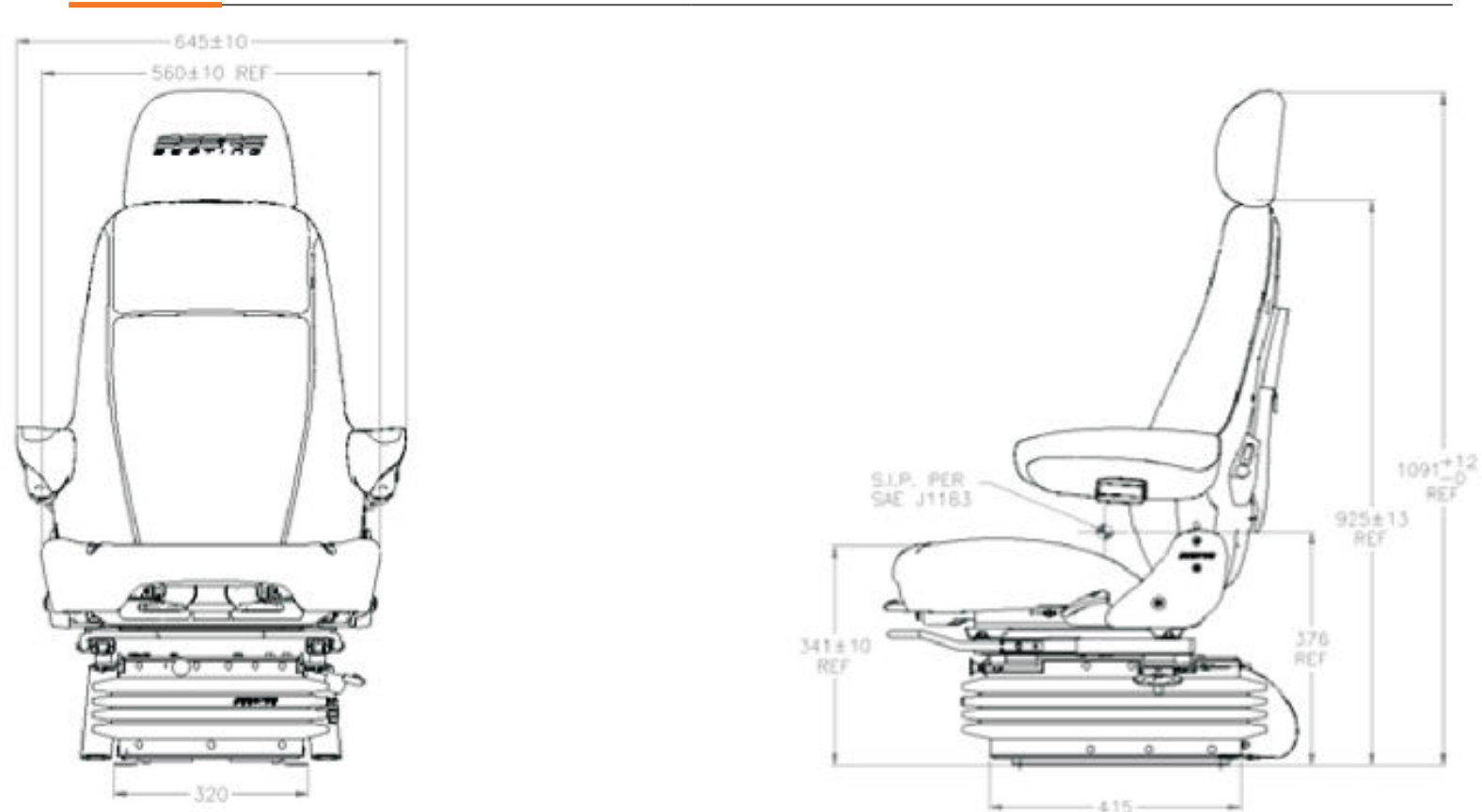
GET IN TOUCH

1300 064 456 | admin@theseatshop.com.au | www.theseatshop.com.au

FEATURES

- Heavy Duty 12V or 24V Air Suspension
- High Backrest with Recline Adjustment
- Replaceable Fabriform comfort cushions
- Manual adjustment 50-180KG Weight Rating
- Optional Armrests with tilt up adjustment
- Optional 24 Degree Left and Right Swivel
- Optional Seat Belts
- Slide travel 200mm
- Adjustable Shock Absorber
- Adjustable Head Rest
- Electric Lumbar Adjustment
- ARPS Auto Ride Position Sensor
- Fore-Aft Horizontal Isolator

TECHNICAL SPECS & DIMENSIONS



GET IN TOUCH