

The Seat Shop

SOLUTIONS - SAFETY - SERVICE ■

SEARS D7020 SERIES CONSTRUCTION SEAT



This product is designed for use in mini or midi excavators, pavers, small dozers, medium and small wheel loaders. Sears is proud to provide the perfect seating solution for a wide variety of vehicles in the agricultural, construction, material handling and on-highway industries.

Features a 3 Stage Height Level Setting to offer the best sitting position.

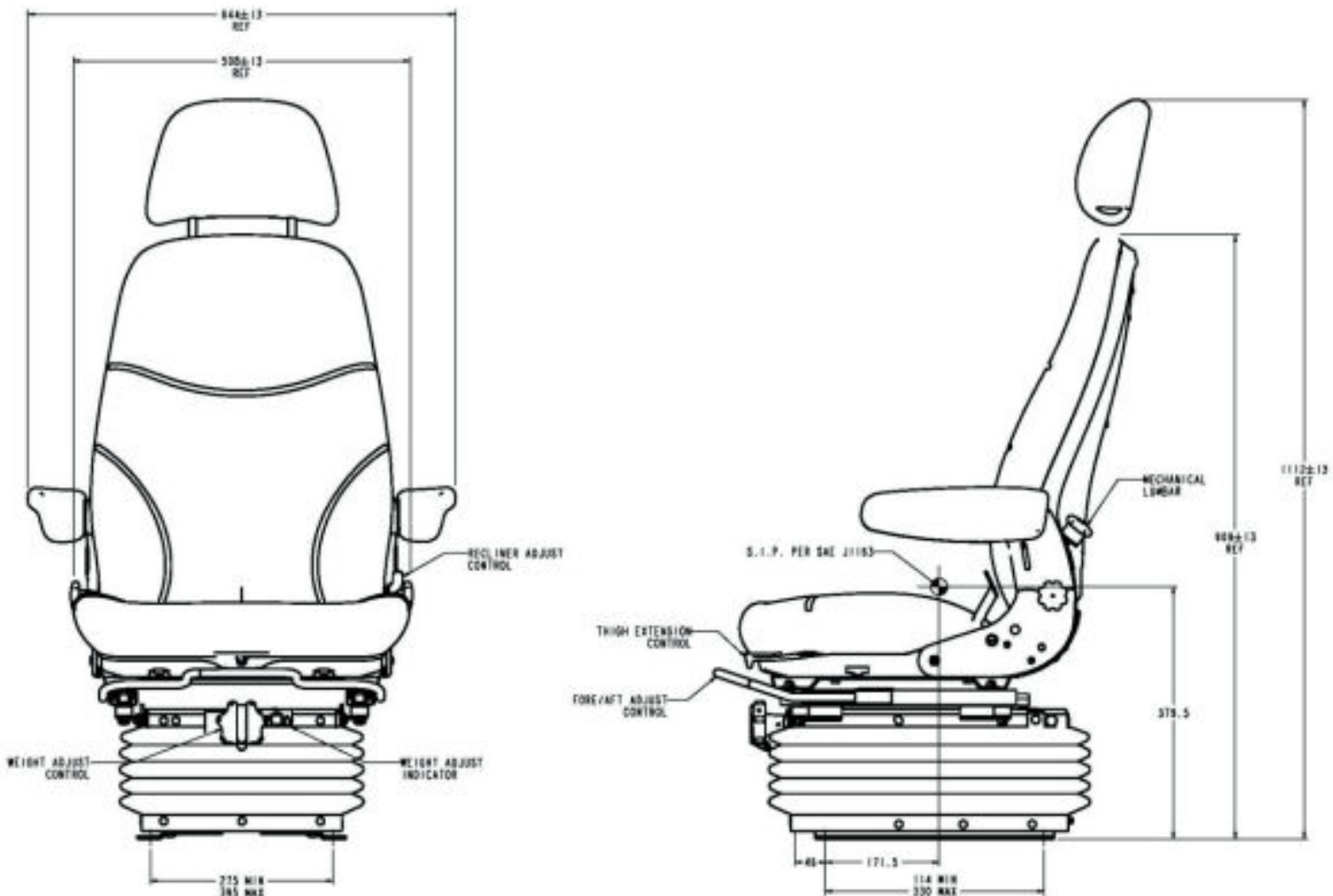
GET IN TOUCH

1300 064 456 | admin@theseatshop.com.au | www.theseatshop.com.au

FEATURES

- Heavy Duty Mechanical Suspension
- High Backrest with Recline Adjustment
- Replaceable Fabriform comfort cushions
- Manual adjustment 50-150KG Weight Rating
- Optional Armrests with tilt up adjustment
- Optional Seat Belts
- Slide travel 200mm
- Adjustable Head Rest
- Manual Lumbar Adjustment
- Seat Cushion Slide

TECHNICAL SPECS & DIMENSIONS



GET IN TOUCH

1300 064 456 | admin@theseatshop.com.au | www.theseatshop.com.au