

# The Seat Shop

SOLUTIONS - SAFETY - SERVICE ■

## SEARS D5580 SERIES AG SEAT



The deluxe D5580 series offers premium comfort and enhanced options to ensure maximum levels of comfort and support. Combined with an ultra low frequency, high performance, VIS air suspension vibration is significantly reduced to improve health and well-being of operators. Suited for 100HP and above machinery.

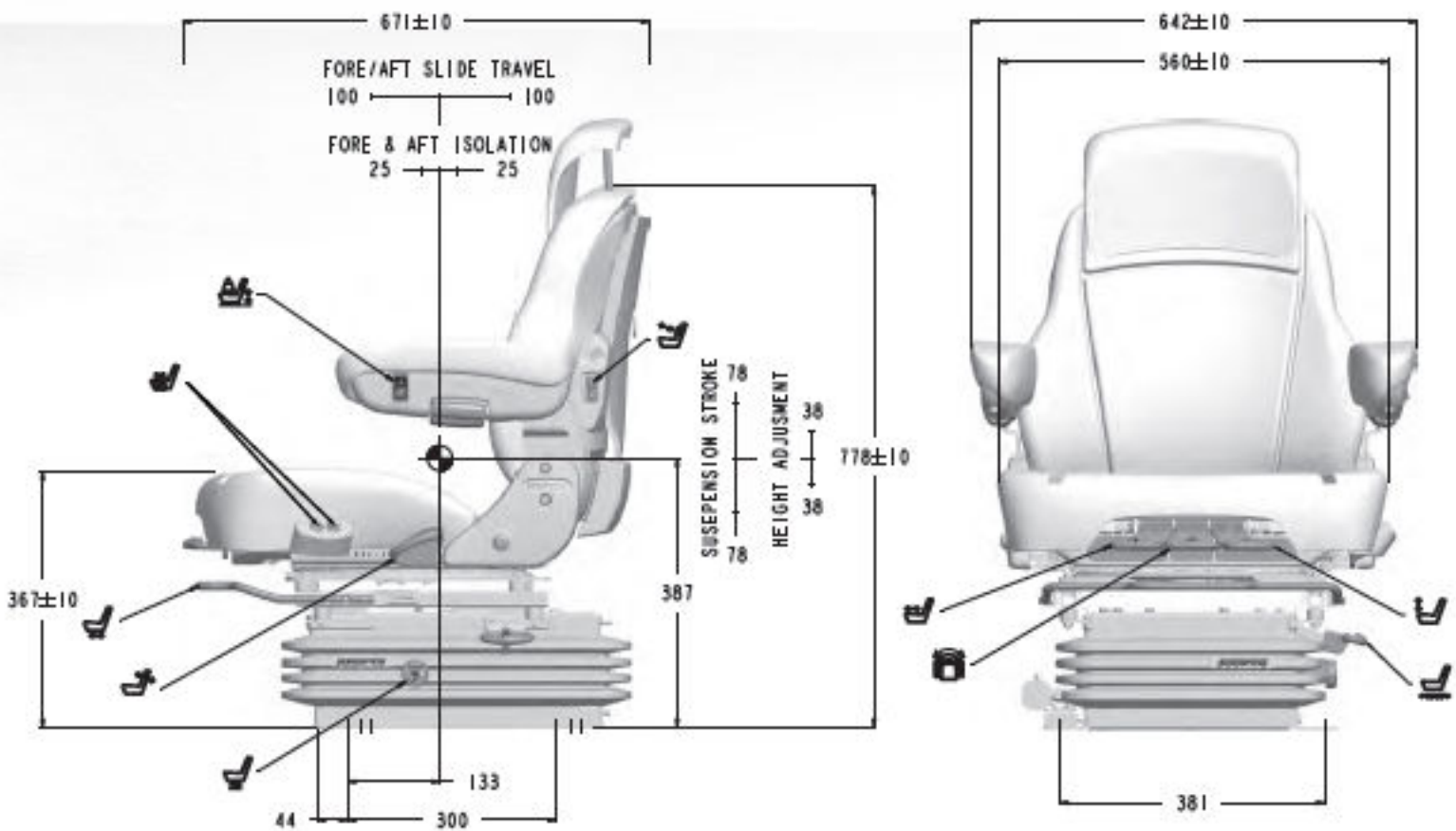
### GET IN TOUCH

1300 064 456 | [admin@theseatshop.com.au](mailto:admin@theseatshop.com.au) | [www.theseatshop.com.au](http://www.theseatshop.com.au)

# FEATURES

- Heavy Duty 12 Volt Air Suspension
- Replaceable Deluxe Cut & Sew comfort cushions
- Seat Cushion Length & Tilt Adjustment
- Heated Cushions
- Back angle fully adjustable
- Manual adjustment for 50-180KG Weight Rating
- Standard Armrests with tilt up adjustment
- Standard with Fore-Aft Horizontal Isolator
- Standard with Operator presence switch
- Standard with 24 Degree Left & Right Swiveling
- Slide travel 200mm
- Integrated Adjustable Upper Backrest
- Vibration performance to ISO 7096
- Electric Air Lumbar Adjustment

# TECHNICAL SPECS & DIMENSIONS



## GET IN TOUCH