

The Seat Shop

SOLUTIONS - SAFETY - SERVICE ■

SEARS ATLAS II DELUXE SERIES ON ROAD TRUCK SEAT



The Atlas II DLX has proven itself as the best-in-class in today's class 8 on-highway truck market. A back support structure contours to the natural shape of the spine and optional thermassage heat and massage cushions keep drivers relaxed during long days of driving. Sears is proud to provide the perfect seating solution for a wide variety of vehicles in the agricultural, construction, material handling and on-road industries. With the latest testing equipment in our state-of-the-art ComfortLab we are proud to produce ergonomic, correctly contoured, healthy seats for a wide range of applications.

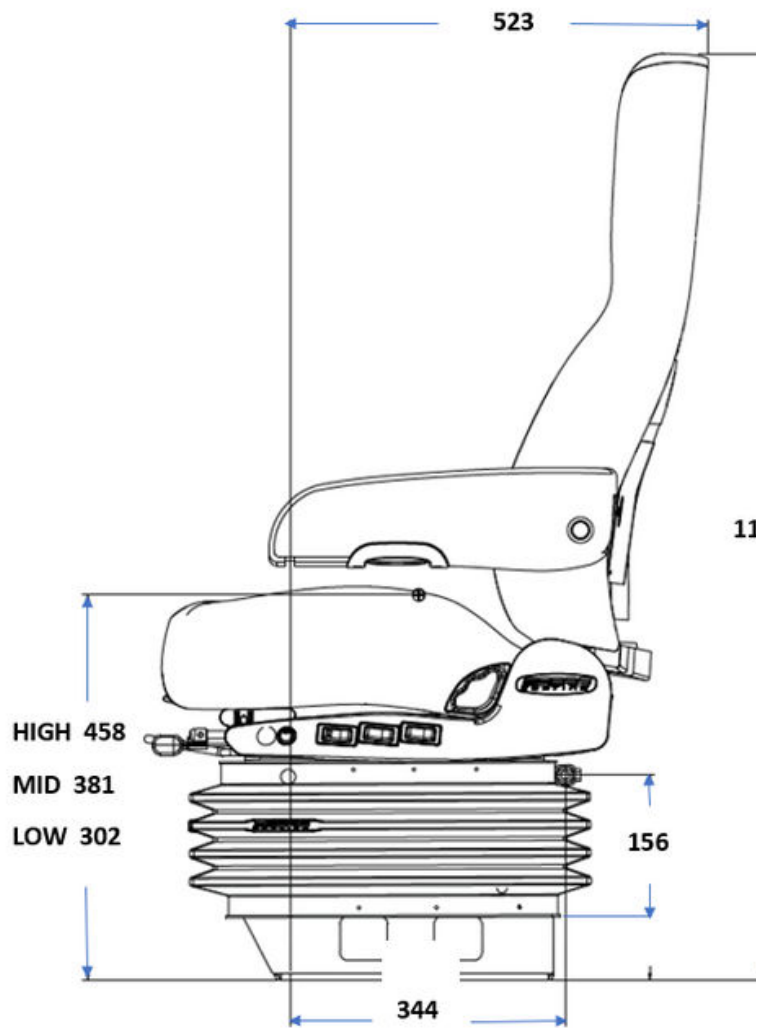
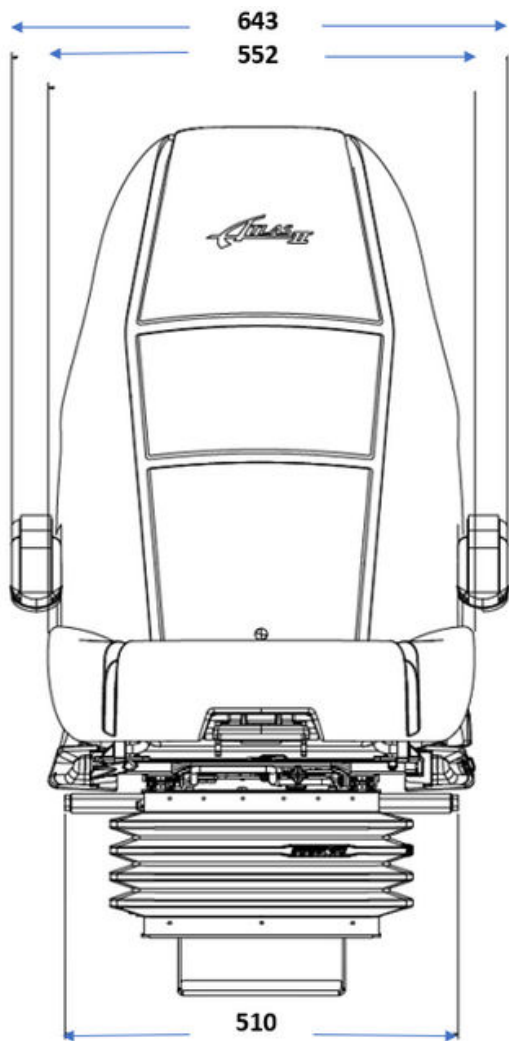
GET IN TOUCH

1300 064 456 | admin@theseatshop.com.au | www.theseatshop.com.au

FEATURES

- Toggle Link Air Suspension
- High Backrest with Recline Adjustment
- Contoured Comfort cushions
- Manual adjustment 50-180KG Weight Rating
- Standard with Armrests with tilt up adjustment
- Optional Seat Belt
- 56 Centimeter Wide Cushion
- 22 Centimeter Slide Travel
- Horizontal Isolator Shock Absorber
- Air Lumbar Adjustment
- Seat Cushion Tilt & Slide - 3 Positions
- Two Stage Heated Cushions
- Two Stage Built in Vibration Massager

TECHNICAL SPECS & DIMENSIONS



GET IN TOUCH

1300 064 456 | admin@theseatshop.com.au | www.theseatshop.com.au