

The Seat Shop

SOLUTIONS - SAFETY - SERVICE ■

SEARS 5587 SERIES CONSTRUCTION INDUSTRY SEAT



The 5587 seat is a Heavy Duty Air suspension seat perfect for medium to large Construction and Mining machinery. Complete with the TLV1 suspension assembly it has the ability to suit many different applications. Ideally suits Dozer, Grader, Loader, Scraper type machinery with a host of optional bolt on accessories available. Features a 200KG Manufacturer weight rated air suspension.

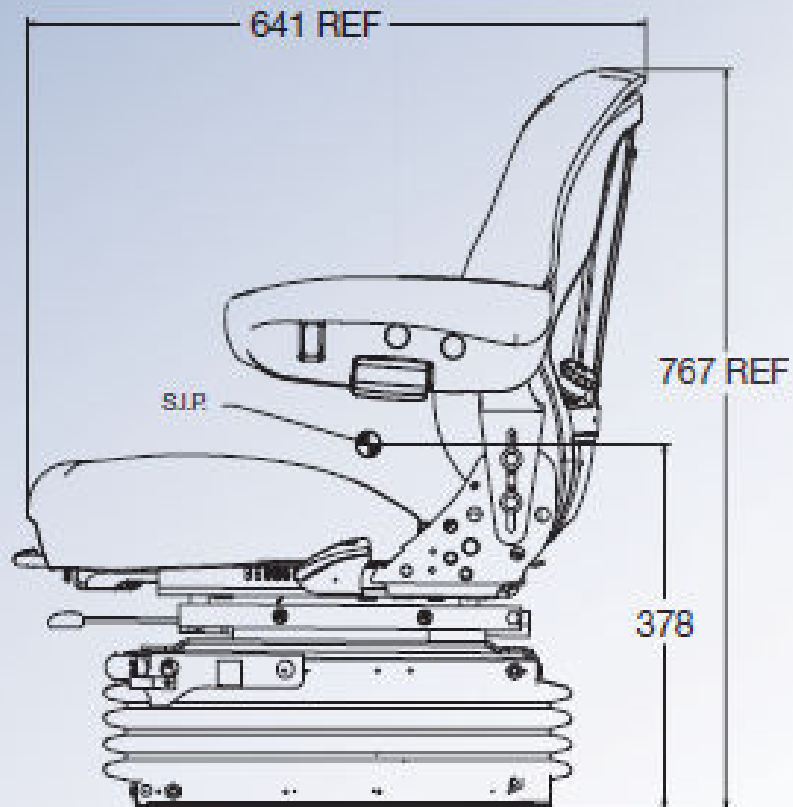
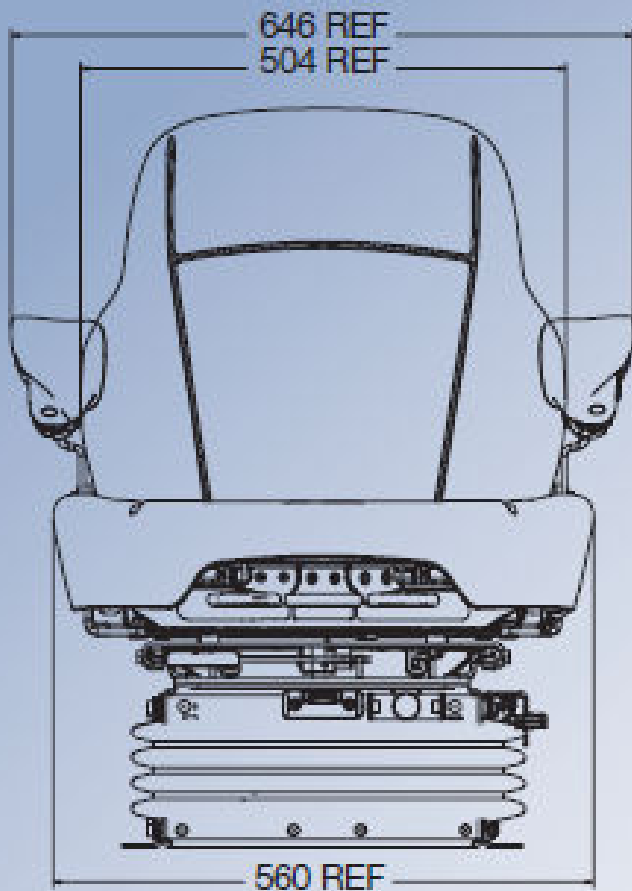
GET IN TOUCH

1300 064 456 | admin@theseatshop.com.au | www.theseatshop.com.au

FEATURES

- Heavy Duty 12V or 24V or Straight air feed Suspension
- Low Backrest with Recline Adjustment
- Replaceable Fabriform comfort cushions
- Manual adjustment 50-200KG Weight Rating
- Optional Armrests with tilt up adjustment
- Optional Seat Belts
- Slide travel 200mm
- Adjustable Shock Absorber
- Integrated Adjustable Upper Backrest
- Manual Lumbar Adjustment
- Specifically suits CAT + KOMATSU + John Deere floor mountings 381mm Wide x 400mm Deep

TECHNICAL SPECS & DIMENSIONS



GET IN TOUCH