

The Seat Shop

SOLUTIONS - SAFETY - SERVICE ■

SEARS 5545A SERIES AG SEAT



12V Air Suspension Seat suits a wide range of 50-100HP Agricultural machinery.

Features a 150KG Weight Rated Air Suspension Base

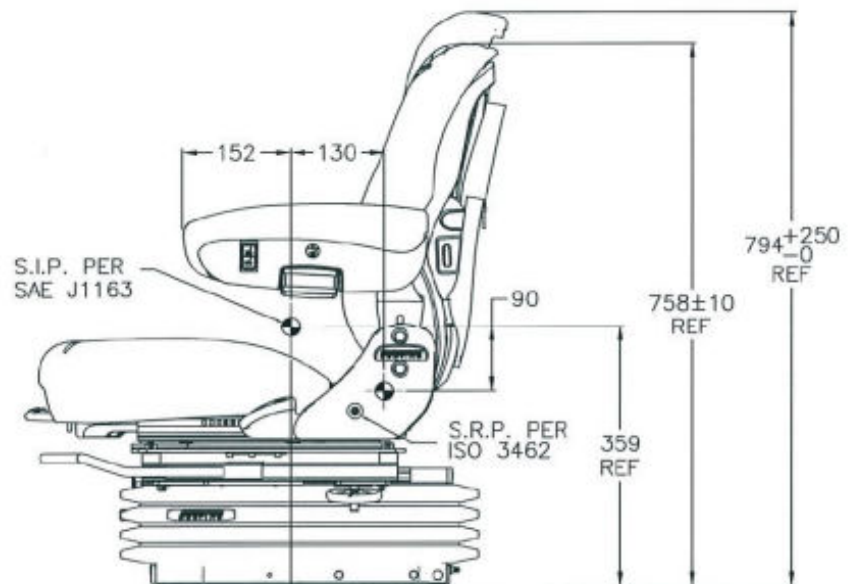
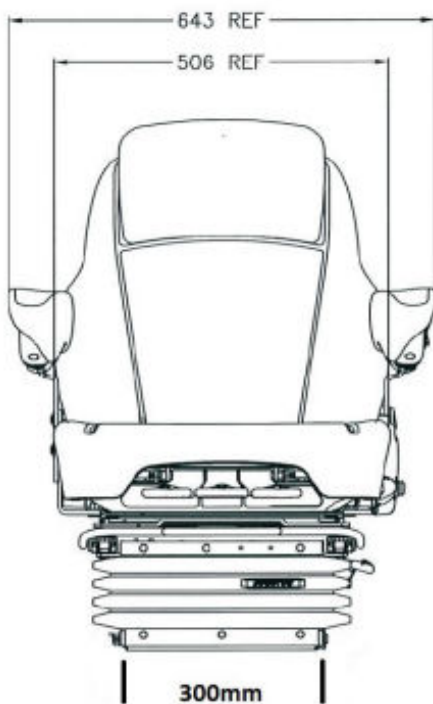
GET IN TOUCH

1300 064 456 | admin@theseatshop.com.au | www.theseatshop.com.au

FEATURES

- Replaceable double depth Fabriform comfort cushions
- Height adjustment 76mm
- Back angle fully adjustable
- Automatic height & weight adjustment 50-150kg
- Automatic ride protection systems (ARPS)
- Suspension stroke 80mm
- Horizontal isolator fully integrated, sprung & Duo Damped
- Armrests with height pitch & tilt up adjustment
- Slide travel 200mm
- Moulded suspension cover
- Upper back rest height adjustable
- Operator presense switch
- Optional Heated Cushion Kit
- Vibration performance to ISO 7096

TECHNICAL SPECS & DIMENSIONS



GET IN TOUCH