

# The Seat Shop

SOLUTIONS - SAFETY - SERVICE ■

## SEARS 5520 SERIES CONSTRUCTION INDUSTRY SEAT



The 5520 seat is a Heavy Duty mechanical suspension seat perfect for medium to large Construction machinery.

Complete with the 20 series 3 step height setting suspension assembly it has the ability to suit many different applications. Ideally suits Dozer, Grader, Loader type machinery with a host of optional bolt on accessories available.

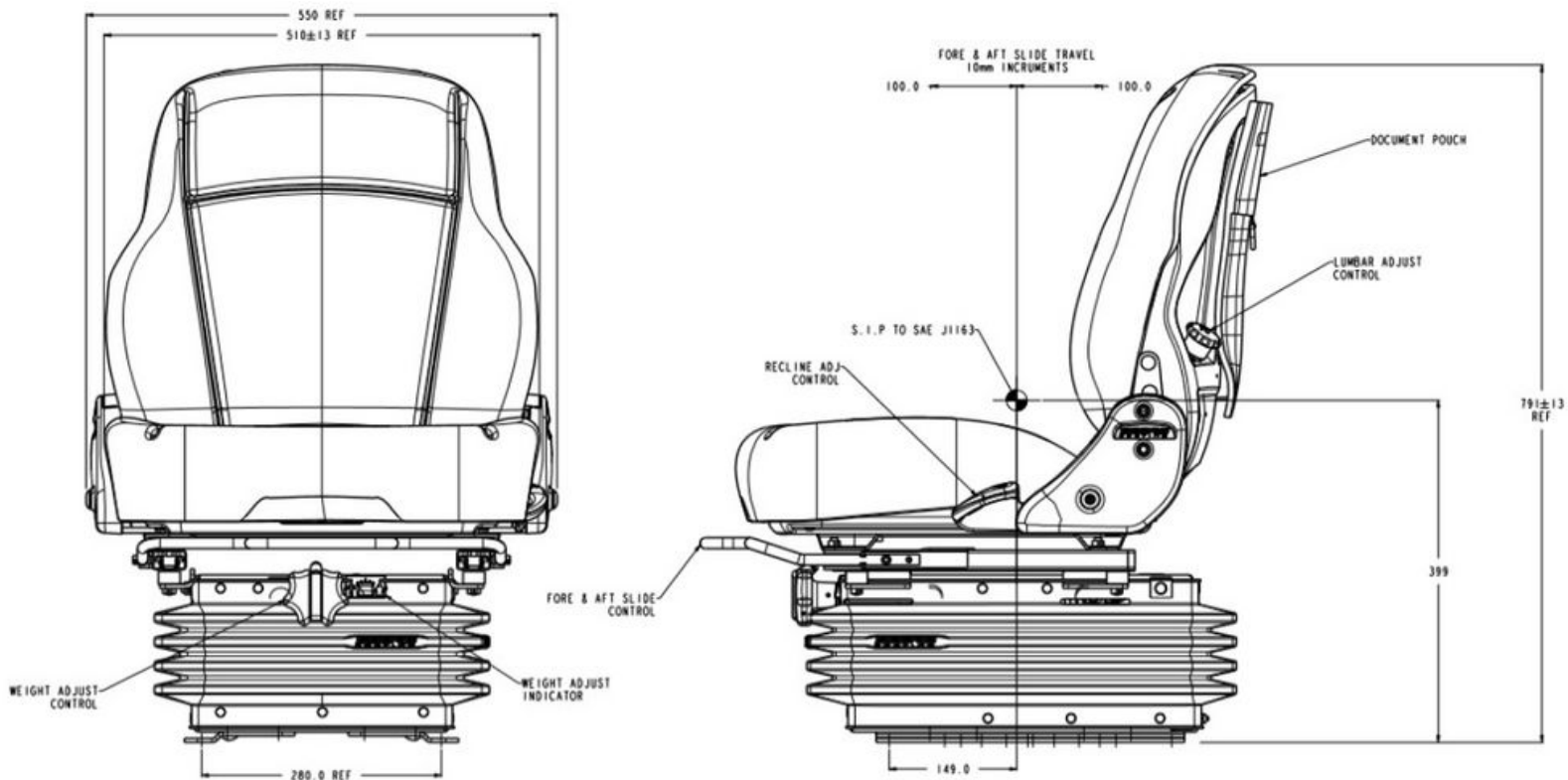
GET IN TOUCH

1300 064 456 | [admin@theseatshop.com.au](mailto:admin@theseatshop.com.au) | [www.theseatshop.com.au](http://www.theseatshop.com.au)

# FEATURES

- Heavy Duty Mechanical Suspension
- Low Backrest with Recline Adjustment
- Replaceable Fabriform comfort cushions
- Manual adjustment for 45-150KG Weight Rating
- Optional Armrests with tilt up adjustment
- Optional Seat Belts
- Slide travel 200mm
- Suspension Stroke of 156mm
- Integrated Adjustable Upper Backrest
- Manual Lumbar Adjustment
- Multiple floor mount options

## TECHNICAL SPECS & DIMENSIONS



HEAVY DUTY MECHANICAL SUSPENSION WITH 3 STAGE HEIGHT ADJUSTMENT AND DUO DAMPER

## GET IN TOUCH