

# The Seat Shop

SOLUTIONS - SAFETY - SERVICE ■

## SEARS FLS SERIES 1600 FORKLIFT SEAT



**This low profile mechanical suspension seat is engineered with ergonomic contoured, quick-release, comfort cushions and a recliner. This product is designed for use in lift trucks, pavers, rollers, mini dumpers, skid steer loaders, excavators and other compact machines and is available in a variety of trims and colours.**



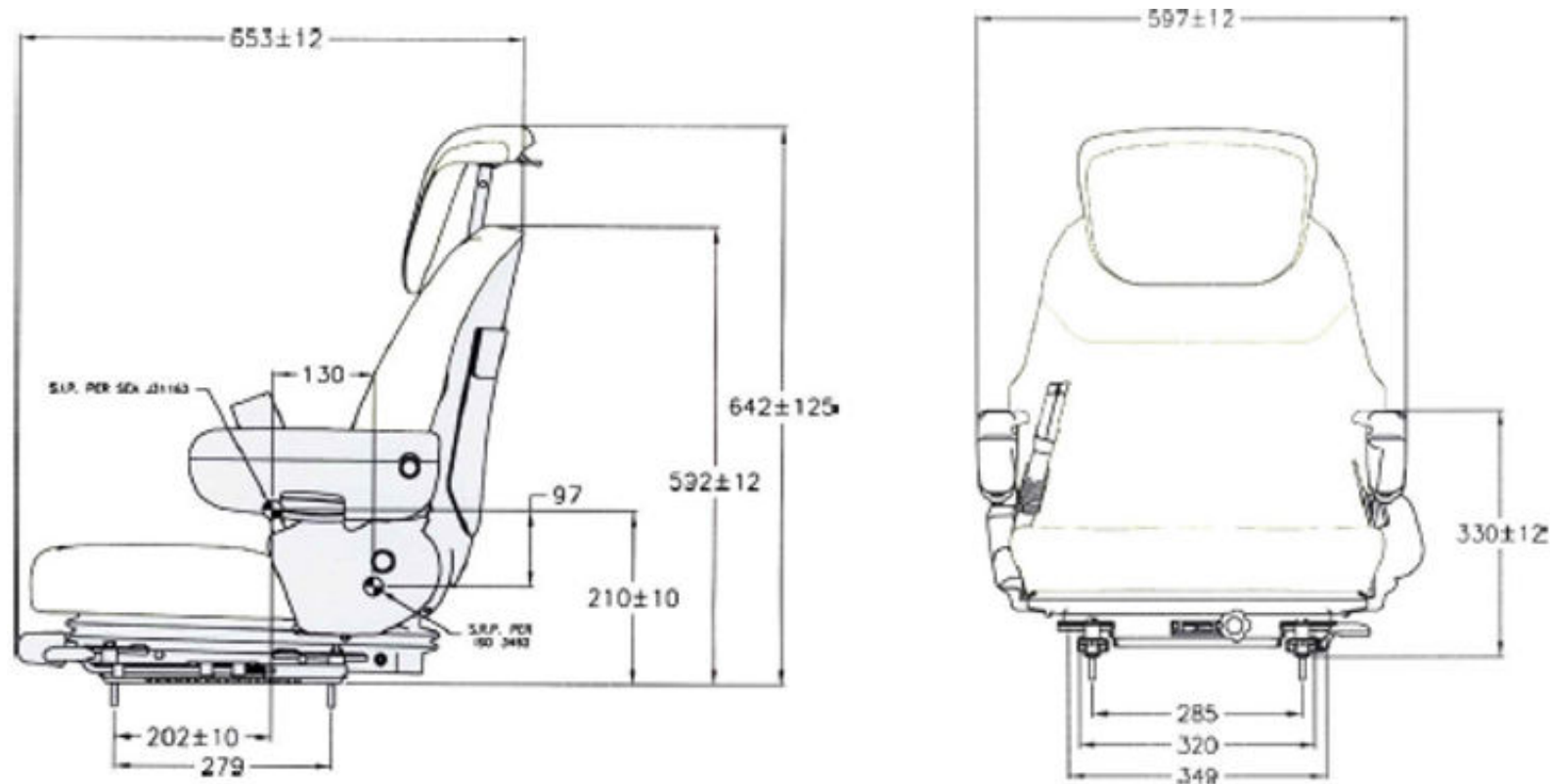
### GET IN TOUCH

1300 064 456 | [admin@theseatshop.com.au](mailto:admin@theseatshop.com.au) | [www.theseatshop.com.au](http://www.theseatshop.com.au)

# FEATURES

- Torsion Spring Low Profile Mechanical Suspension
- Replaceable double depth Fabriform comfort cushions
- Height adjustment 60mm
- Back angle fully adjustable
- Manual adjustment 45-140kg
- Optional Armrests with tilt up adjustment
- Slide travel 160mm
- Moulded suspension cover
- Standard with Operator presence switch
- Optional Arm Rests
- Optional Seat Belt
- Vibration performance to ISO 7096
- 3 Width Options for slide rail mounting

# TECHNICAL SPECS & DIMENSIONS



## GET IN TOUCH