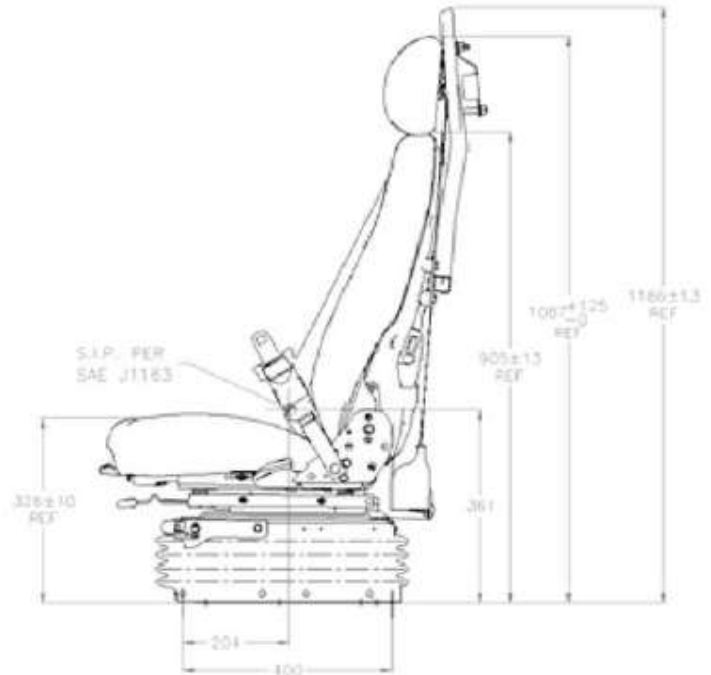
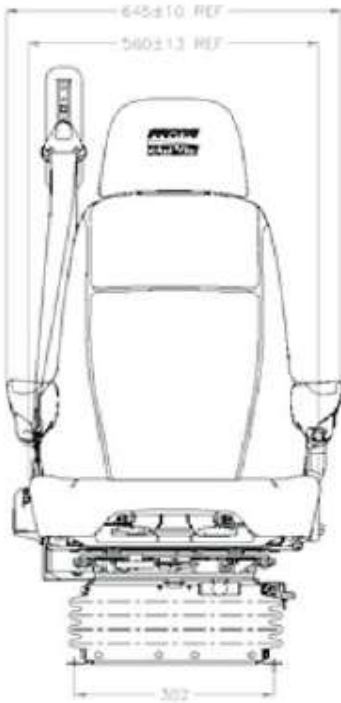


TheSeatShop

SOLUTIONS - SAFETY - SERVICE

SEARS D8589 Series OFFROAD TRUCK SEAT





Wide Severe duty Toggle Link low frequency air suspension, adjustable damper and Airide high volume air spring. 220KG weight rated suspension assembly available in 24 volt compressor or straight air feed configurations.

FEATURES

- Replaceable double depth comfort cushions
- Headrest with 3 position angle adjustment
- 65 degree back angle adjustment
- 76mm seat height adjustment
- Seat cushion tilt and slide adjustment
- 80mm suspension stroke
- Adjustable Lumbar support

OPTIONS

- Adjustable arm rests
- Lateral Isolator
- Optional seat belt configurations
- Left / Right or 4 Point Harness Seat Belt option
- Operator Presence Switch
- 12V or 24V seat heaters
- Dual Dampening
- Vibration Sensor Package

www.theseatshop.com.au

1300 064 456

admin@theseatshop.com.au

TheSeatShop
SOLUTIONS • SAFETY • SERVICE

Unit 1/20 Gibbs Street
ARUNDEL QLD 4214
PH: 61 756132053

TheSeatShop
SOLUTIONS • SAFETY • SERVICE

115 Kariboe Street
BILOELA QLD 4715
PH: 61 749926611

TheSeatShop
SOLUTIONS • SAFETY • SERVICE

Unit 4/2 Fursden Street
MACKAY QLD 4740
PH: 61 748371238

TheSeatShop
SOLUTIONS • SAFETY • SERVICE

58A Mort Street
TOOWOOMBA QLD 4350
PH: 61 756132053