

TheSeatShop

SOLUTIONS - SAFETY - SERVICE

Articulated VOLVO Air Seat Suits A20-25-30-40 Series

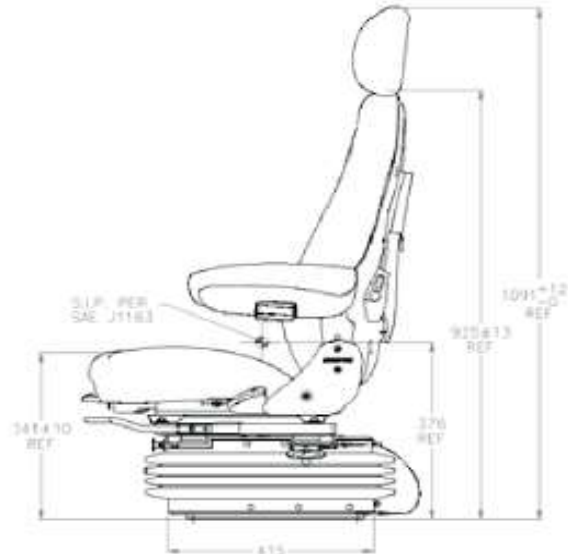
Features a 180KG Weight Rated 24V Air Suspension (305mm mounting) Adjustable Shock Absorber & Isolator Damper

Optional: Arm Rests - OPS Sensor - Seat Covers – Vibration Sensor Package - Seat Belt- Heated Cushions



SEARS
SEATING

D8570 Series



Heavy Duty 24V air suspension with Airide® high volume air spring & double acting adjustable Duo® damper.

FEATURES

- Replaceable double depth Fabriform® comfort cushions.
- Upper back rest recline adjustment.
- Back angle fully adjustable.
- Height adjustment 76mm.
- Automatic height & weight adjustment 50 -180kg Auto ride protection system (ARPS™).
- Seat cushion slide length adjustment 60mm.
- Seat cushion tilt up adjustment 21°.
- Horizontal isolator fully integrated, sprung & Duo® damped.
- Double lock slide travel 200mm.
- Adjustable Duo® damper.
- Armrests with height pitch & tilt up adjustment (optional).
- Suspension stroke 80mm .
- Electric air lumbar adjustment.
- Operator presence switch (optional).
- Moulded suspension cover.
- Vibration performance to ISO 7096.

OPTIONS

- Lateral isolator
- Seat belt to ISO 6683
- Seat heaters 12, 24, 48v
- Range of fabric, velour or PVC trim

TheSeatShop
SOLUTIONS - SAFETY - SERVICE