

# TheSeatShop

SOLUTIONS - SAFETY - SERVICE

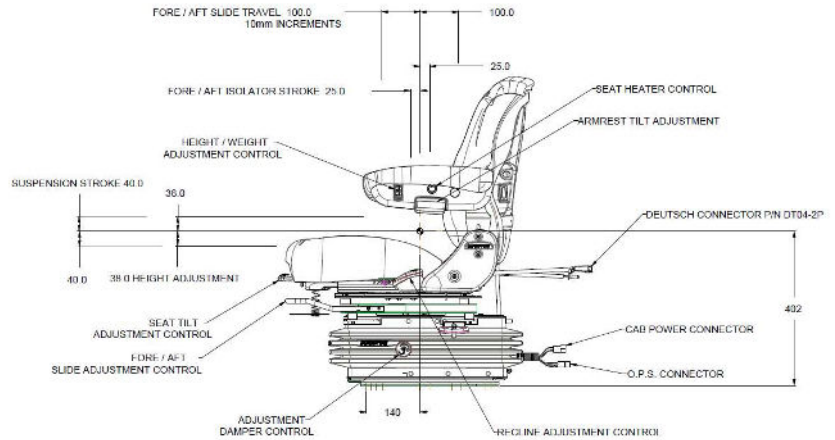
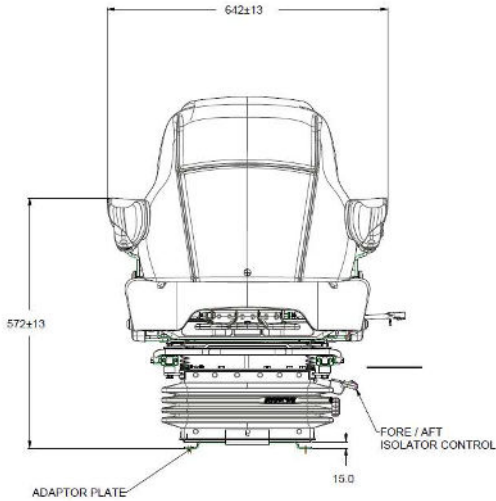
[www.theseatshop.com.au](http://www.theseatshop.com.au)

1300 064 456

## SEARS D5575 Series AG Seat

Features a 200KG Weight Rated Air Suspension – Fore-Aft Isolator – Swivel – Air Lumbar - OPS





|   |                                      | SERIES NUMBER | D5575       |
|---|--------------------------------------|---------------|-------------|
|   |                                      | PART NUMBER   | SA30583.400 |
| <br>SEAT TOP        | Backrest recline adjust              | •             |             |
|   | Fabriform cushions (pour in place)   | •             |             |
|   | Integrated adjustable upper backrest | •             |             |
|   | Seat cushion length and angle adjust | •             |             |
|   | Heated cushions                      | •             |             |
|   | Mechanical lumbar                    | —             |             |
|   | Electric air lumbar                  | •             |             |
| <br>SUSPENSION     | Low natural frequency air suspension | •             |             |
|   | Suspension stroke 156mm              | •             |             |
|   | Fixed shock absorber                 | —             |             |
|   | Adjustable shock absorber            | •             |             |
|   | Auto height/weight adjust            | •             |             |
|   | Operator weight range 45-200 kg      | •             |             |
|   | Integrated fore/aft isolator         | •             |             |
| Lateral isolator module   | ⊙                                    |               |             |
| <br>OTHER FEATURES | Fully adjustable armrests            | •             |             |
|   | Armrest mounted suspension control   | •             |             |
|   | Swivel adjust - 24 deg L, 24 deg R   | •             |             |
|   | Swivel adjust - 180 deg              | —             |             |
|   | Fore/aft slide adjust 200mm travel   | •             |             |
|   | Operator presence switch             | •             |             |
|   | Seat belt                            | ⊙             |             |
|   | Document holder                      | •             |             |
| Universal multi-fix adaptor plate   | •                                    |               |             |