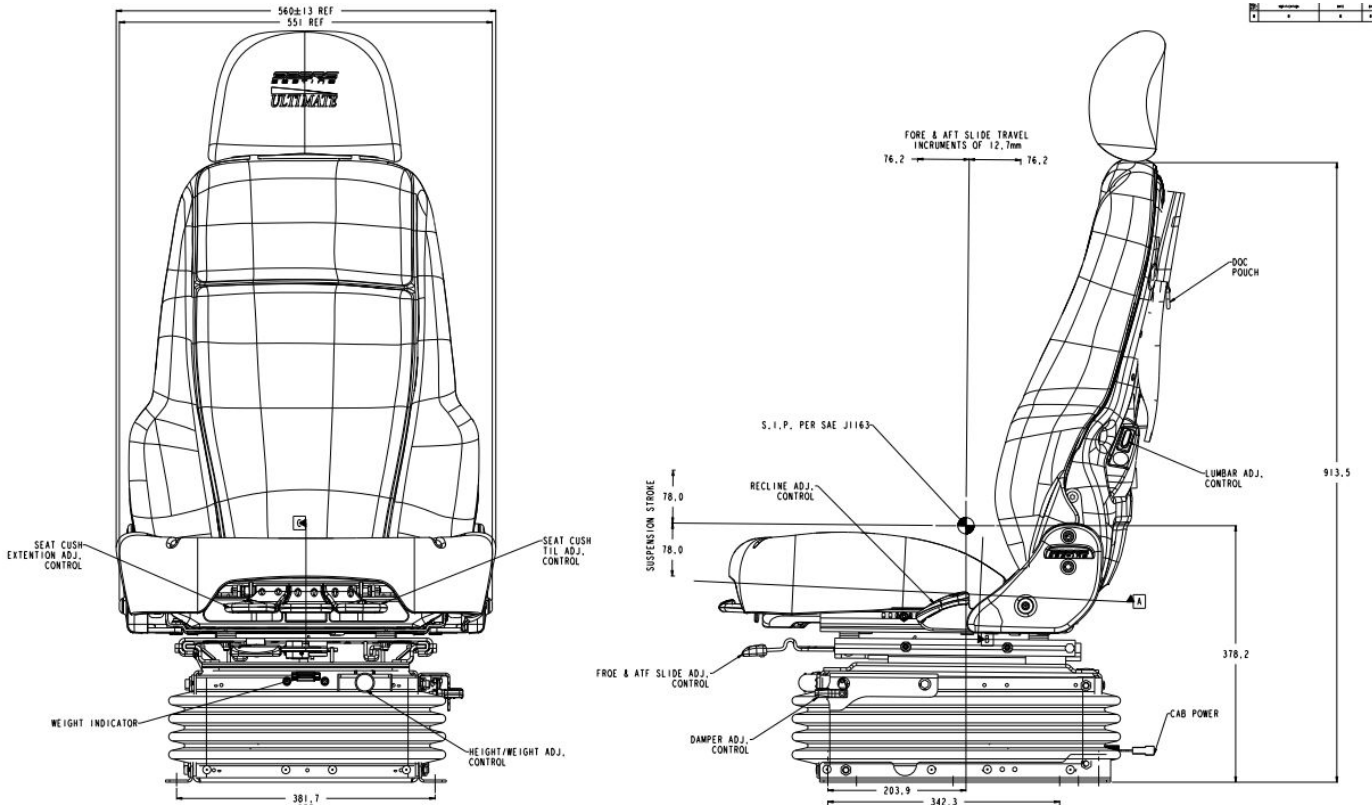


**SEARS**  
SEATING

SHAPING *the future of seats today*

# KOMATSU 8587 Series





Comes with OEM KOMATSU 24V or optional Straight Air Suspension (no internal air compressor) with Airide® high volume air spring and double acting Duo® Damper. Suits WA Loader Series, GD Grader Series, 830 – 930 & HD & HM Truck Series

### TECH SPECS

- Back angle fully adjustable
- Seat height adjustment 76mm
- Automatic height and weight adjustment 50 to 200kg
- Replaceable cushions.
- Adjustable Duo Damper
- Vibration Performance to ISO 7096
- Replaces CAT seat groups 2303393-2792301-4211230 comes with arm rests and lap seat belt.

### OPTIONS

- Left Or Right Hand 3 Point Lap Sash Seat Belt
- Operator Presence Switch (KAB,CAT,VELSPA)
- Seat heaters 24V
- Adjustable Arm Rests
- Various Seat Belt options (3 Point, Harness, Lap only)

