

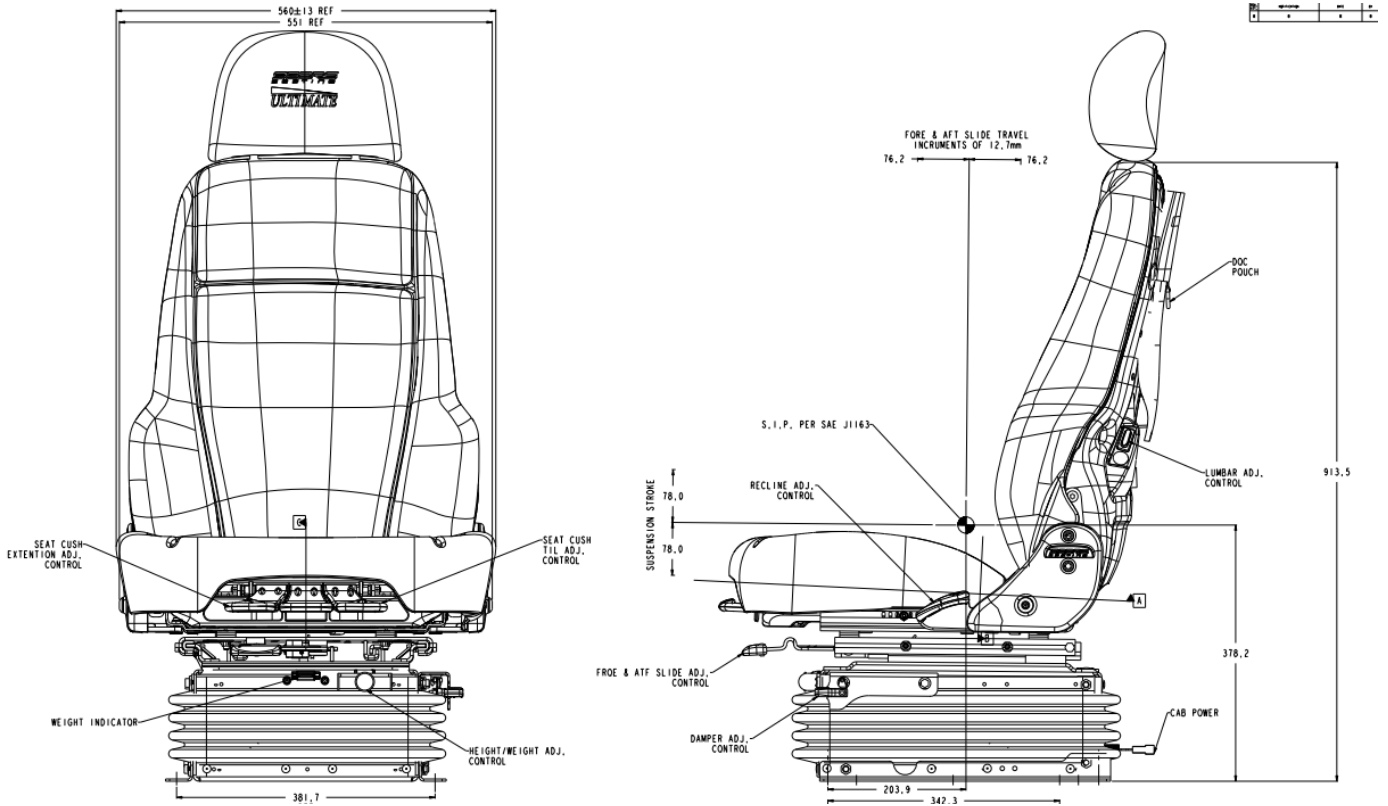
SEARS SEATING

CAT 8587 Series

SHAPING *the future of seats today*

3 POINT LAP SASH SEAT BELT SERIES





Comes with OEM **CATERPILLAR** 24V or optional Straight Air Suspension (no internal air compressor) with Airide® high volume air spring and double acting Duo®Damper. Direct fit for all CAT OFF HIGHWAY TRUCK, D400E, 700 Series Articulated, MOXY, BELL, Hitachi, VOLVO, TEREX, KOMATSU and a wide variety of applications in Mining, Forklift, Construction, Agricultural and many other industries.

TECH SPECS

- Back angle fully adjustable
- Seat height adjustment 76mm
- Automatic height and weight adjustment 50 to 200kg
- Replaceable cushions.
- Adjustable Duo Damper
- Vibration Performance to ISO 7096

OPTIONS

- Operator Presence Switch (KAB,CAT,VELSPA)
- Seat heaters 24V
- Seat Cushion Tilt & Slide Feature
- Adjustable Arm Rests
- Various Seat Belt options (3 Point, Harness, Lap only)