

The Seat Shop

SOLUTIONS - SAFETY - SERVICE ■

SEARS DRAGLINE SEAT



The Elite Dragline seat is custom built to suit most Dragline models. It features easy side access to seat control switches or a “remote control” setup allowing the seat control buttons to be mounted anywhere on the console providing maximum ergonomic reach for operators. It suits most consoles including Cavotec and Leveltec and can be used with or without air suspension assemblies.

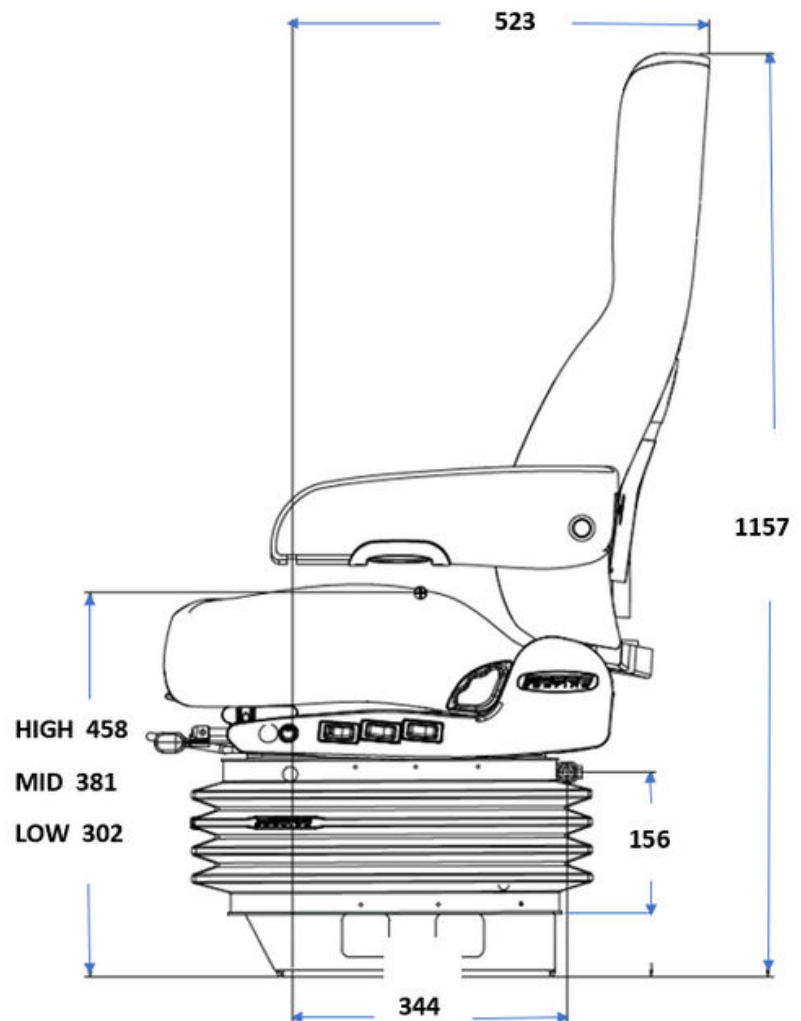
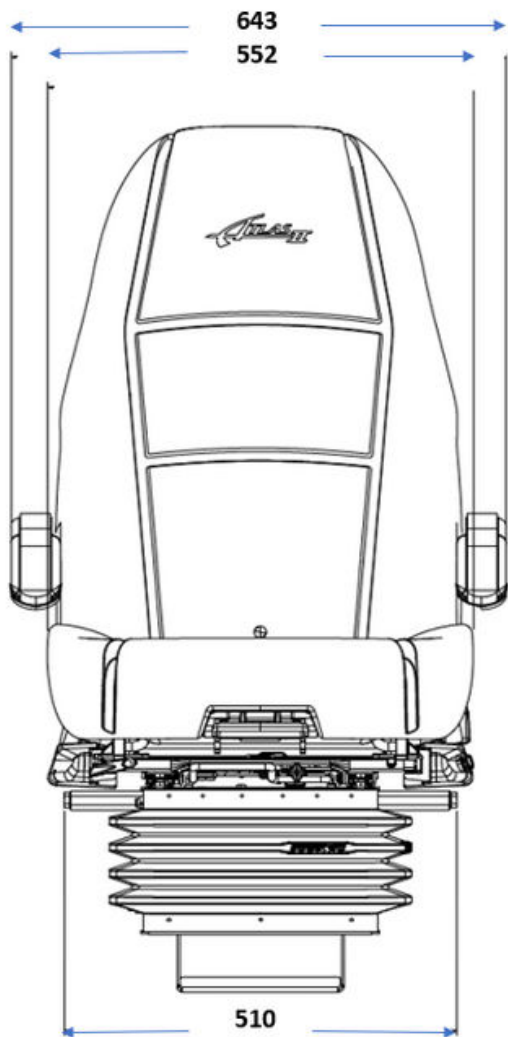
GET IN TOUCH

1300 064 456 | admin@theseatshop.com.au | www.theseatshop.com.au

FEATURES

- Heavy Duty Air Suspension (requires air feed from the Dragline and also requires 12V local power).
- Backrest with Recline Adjustment
- Manual adjustment 50-180KG Weight Rating
- 56cm Wide Seat Cushion
- 22cm Slide Travel
- Fore-Aft Isolator
- Air Lumbar Adjustment
- Includes L&R Adjustable Arm Rests
- Seat Cushion Tilt & Slide - 3 Positions
- Two Stage Heated Cushions
- Two Stage built in Vibration Massager

TECHNICAL SPECS & DIMENSIONS



GET IN TOUCH