

The Seat Shop

SOLUTIONS - SAFETY - SERVICE ■

SEARS FLM SERIES 1815 FORKLIFT SEAT



This low profile, Full Scissor, mechanical suspension seat is engineered with ergonomic contoured, quick-release, comfort cushions and a recliner. This product is designed for use in lift trucks, pavers, rollers, mini dumpers, skid steer loaders, excavators and other compact machines and is available in a variety of trims and colours.

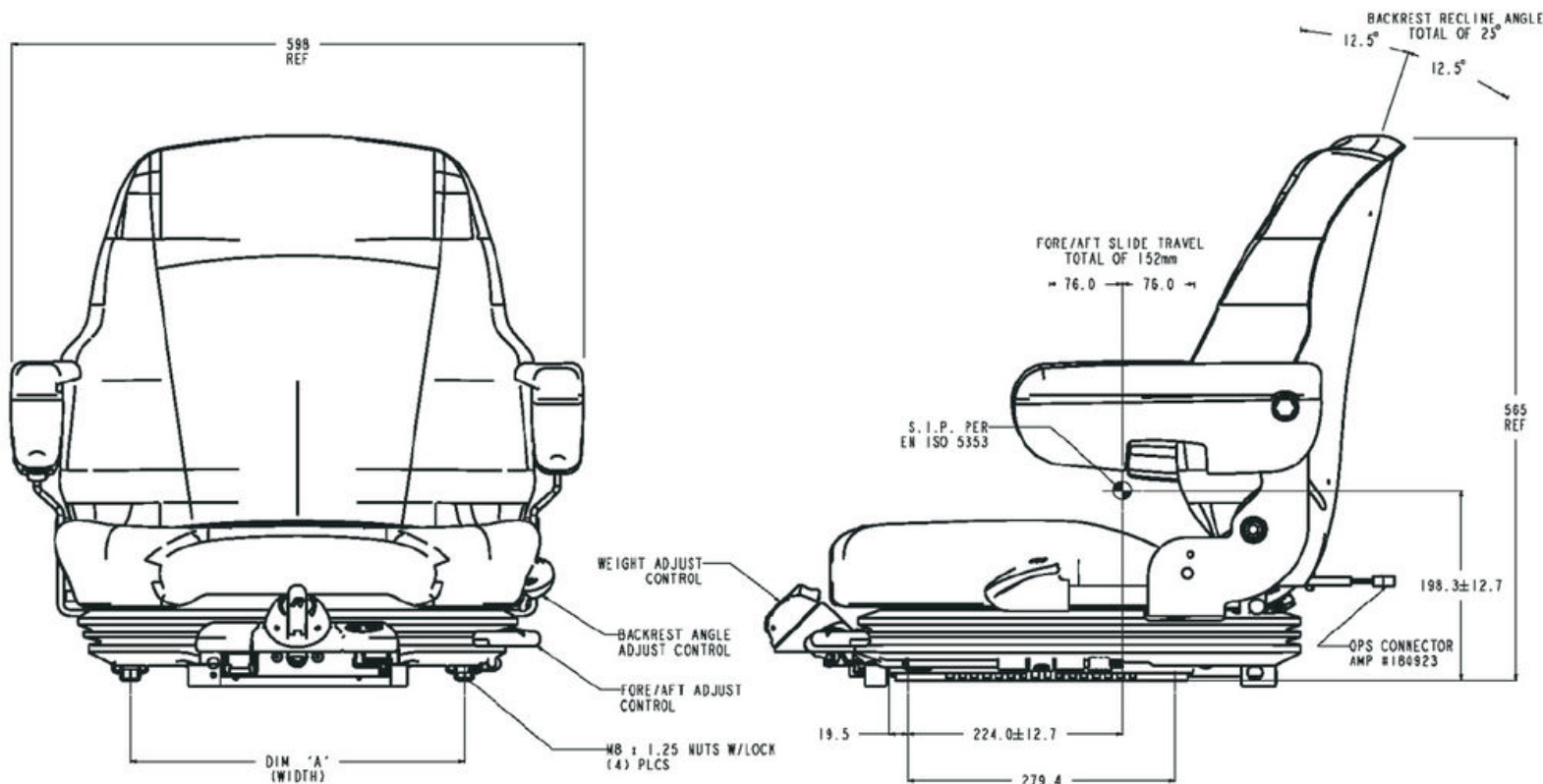
GET IN TOUCH

1300 064 456 | admin@theseatshop.com.au | www.theseatshop.com.au

FEATURES

- Low Profile Mechanical Suspension
- Replaceable double depth Fabriform comfort cushions
- Height adjustment 60mm
- Back angle fully adjustable
- Manual adjustment 50-145kg
- Optional Armrests with tilt up adjustment
- Slide travel 160mm
- Moulded suspension cover
- Standard with Operator presence switch
- Optional Arm Rests
- Optional Seat Belt
- Vibration performance to ISO 7096
- EXCEEDS isolation performance 0.5m/sec

TECHNICAL SPECS & DIMENSIONS



GET IN TOUCH